



FEATURES AND BENEFITS

- Unlimited vulnerability scanning of multiple IP addresses
- 8000+ unique vulnerability signatures
- Real time updates via secure link
- Continuous protection against security threats
- 1U appliance, fully loaded and out-of-the-box ready
- Scans any operating system, router, firewall, IP telephone etc
- Multi-user support for privacy
- Detailed fix recommendations for identified vulnerabilities
- Centralised reporting for corporate branch office networks
- Easy to install with set-up via wizard
- No software to install. Automatic firmware updates
- Comprehensive reporting and advanced statistics- XML, PDF or HTML
- Scalable for LAN growth, upgradeable
- Extendable 2-year hardware warranty, 90 day remote support

The Penetrator

Penetration Testing Appliance

Vulnerability management is key to any security strategy

The latest automated hacking tools can inflict damage across a network and across the world in a matter of hours. Understanding the potential vulnerabilities within your system is vital to any security strategy.

Vulnerability Management

The Penetrator is a vulnerability management and penetration testing appliance for your network, which comes pre-loaded and ready to go. It is a powerful and intelligent security assessment solution.

Comprehensive and Unlimited Vulnerability Scanning

With its comprehensive vulnerability database and the application of sophisticated scanning techniques, the Penetrator enables you to always be one step ahead of even the most skilled and advanced hackers. It has no limit on the amount of scanning

nor limit on the number of IP addresses and is most certainly one of the strongest and most comprehensive vulnerability assessment solutions on the market.

Easy-to-understand Reporting

Reports can be customised and are available as XML, PDF or HTML files.

System vulnerabilities are categorised as either high risk, medium risk or low risk, together with name and details of each vulnerability and its remediation. The report also gives a conclusion as to the overall security level of the scanned system.

“Are you ready for the next step?”

An executive summary is compiled specifically for management level review with both text and graphical details from the scan results.

Easy to install

The Penetrator is compatible with any operating system. It is easy to install, with minimal configuration.

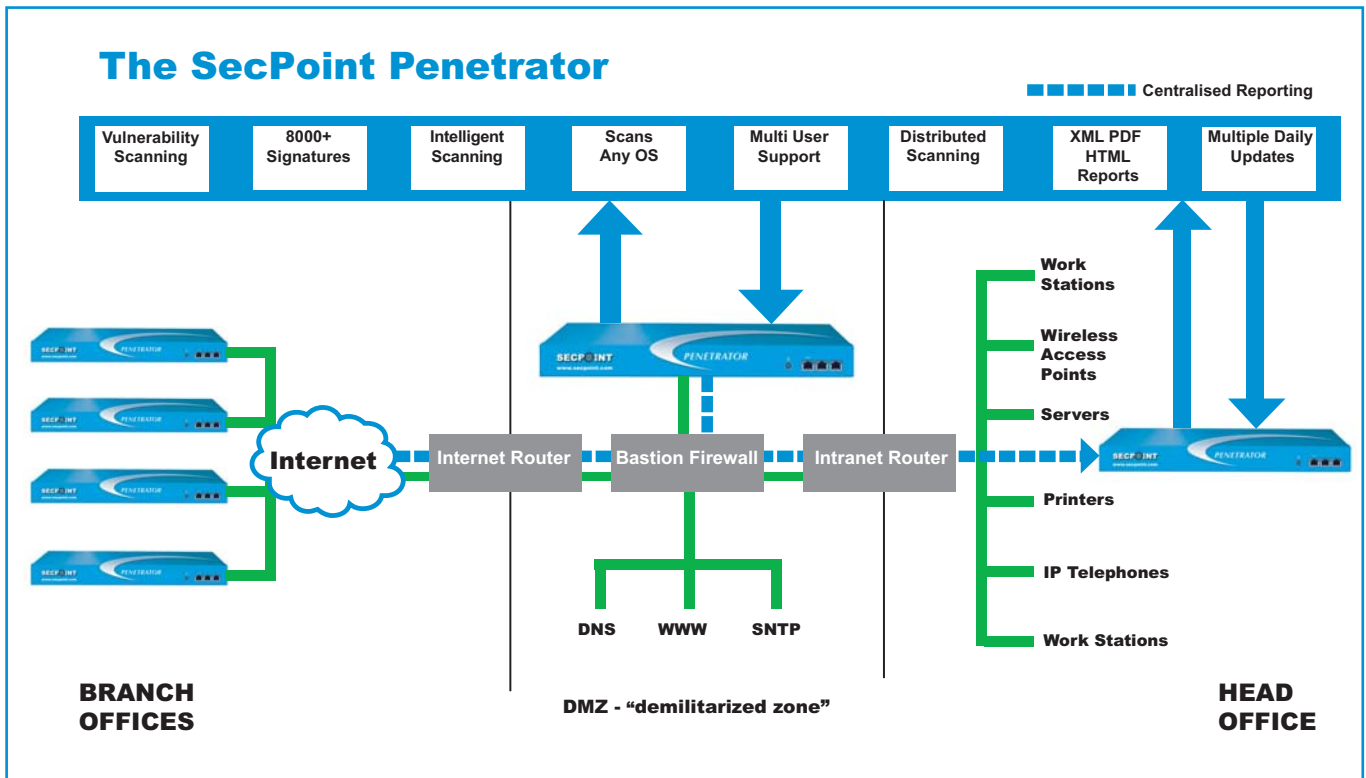
Installation wizards provide for fast set up.

Scalable and Upgradeable

The Penetrator is scalable for network growth and IP addresses.

Support and Warranty

Extendable 2-year hardware warranty is standard, with 90 days remote support also included.



Penetrator Models	S500	S1000	S1500	S2000
Number of IP Addresses	4-64 IPs	128-256 IPs	512 IPs	Unlimited
Upgradeable	YES	YES	YES	YES
Hardware Failover Support	NO	YES	YES	YES
Redundant Power	NO	NO	YES	YES
Redundant Storage	NO	NO	YES	YES

Partner Information